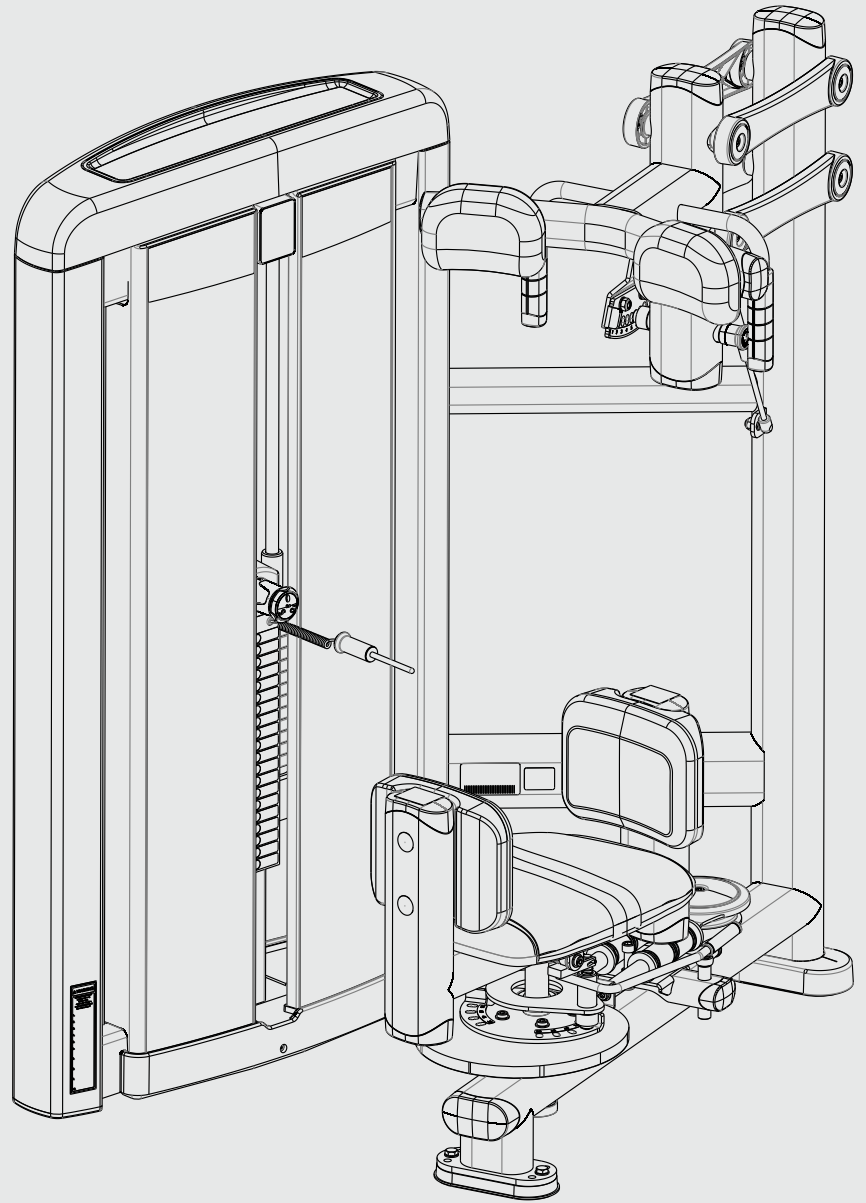


INSIGNIA SERIES  
TORSO ROTATION  
SS-TR  
PARTS MANUAL



# Insignia Series Torso Rotation

## Contents

---

Options and Key .....	3
Powder Coat Painted Frame Weldments .....	4
Component Assembly .....	5
Table .....	6
Seat Assembly .....	7
Tower Plastics .....	8
Shroud Wraps .....	9
Weight Stack Assemblies .....	10
T Trim Head Plate and Drop Down Increment Weights .....	11
C and X Trim Stack Components .....	12
C and X Trim Head Plate Assemblies .....	13
C and X Trim Incremental Weights .....	14
Grip Assemblies .....	15
Sensor Assemblies .....	16

# Insignia Series Torso Rotation Options and Key

**FRAME OPTION**

SELECT POWDERCOAT COLOR

- WHITE
- PLATINUM
- BLACK
- MIDNIGHT METALLIC
- NICKEL
- ICE BLUE METALLIC
- RED
- BLUE
- YELLOW
- CANDY APPLE RED
- ELECTRIC BLUE
- CHARCOAL
- MOCHA SAND
- TITANIUM
- DIAMOND WHITE
- CUSTOM

**UPHOLSTERY OPTION**

SINGLE STITCH



DOUBLE STITCH



SELECT UPHOLSTERY COLOR

- BLACK
- ROYAL BLUE
- SLATE
- CRANBERRY
- NORTHWOODS GREEN
- SPACE BLUE
- AMERICAN BEAUTY RED
- SUEDE
- HUNTER GREEN
- REGIMENTAL BLUE
- CONCORD
- TURQUOISE
- CROCUS
- AZURE
- WHEAT
- GRAPHITE
- GROTTO
- JADE
- EMERALD
- CANDLY APPLE RED
- BURGUNDY
- PLUM
- NAVY
- IMPERIAL BLUE
- CHESTNUT
- PAPRIKA
- TERRA COTTA
- DOVE GRAY
- PUTTY
- GUN METAL
- CUSTOM

**LANGUAGE OPTION**

SELECT LANGUAGE

- 01 ENGLISH
- 02 GERMAN
- 03 FRENCH
- 04 SPANISH
- 05 ITALIAN
- 06 DUTCH
- 07 JAPANESE
- 08 PORTUGUESE
- 10 RUSSIAN
- 11 TURKISH
- 12 CHINESE
- 13 ARABIC

**WEIGHT STACK OPTION**

- T - BASE STACK
- C - LIGHT STACK
- X - HEAVY STACK

- POUNDS
- KILOGRAMS

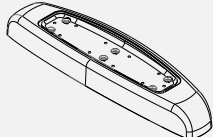

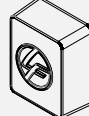
**SHROUD WRAP OPTION**

- FULL SHROUD
- BAMBOO
- SKY
- BRONZE
- STEM
- ROSEWOOD
- STAINLESS STEEL

**TRIM OPTION**

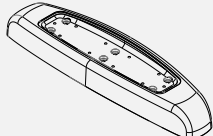

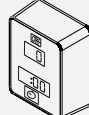
S

PLASTIC TOWER CAP  
STANDARD GRIP  
NO REP COUNTER

L

PAINTED CAST TOWER CAP  
ERGO GRIP  
REP COUNTER

## KEY

LANGUAGE ① ② ③

Items with Black call-outs require the last two digits (XX) to be replaced with language codes listed above. IE: 12345XX should be 1234501 for English.

UPHOLSTERY ① ② ③

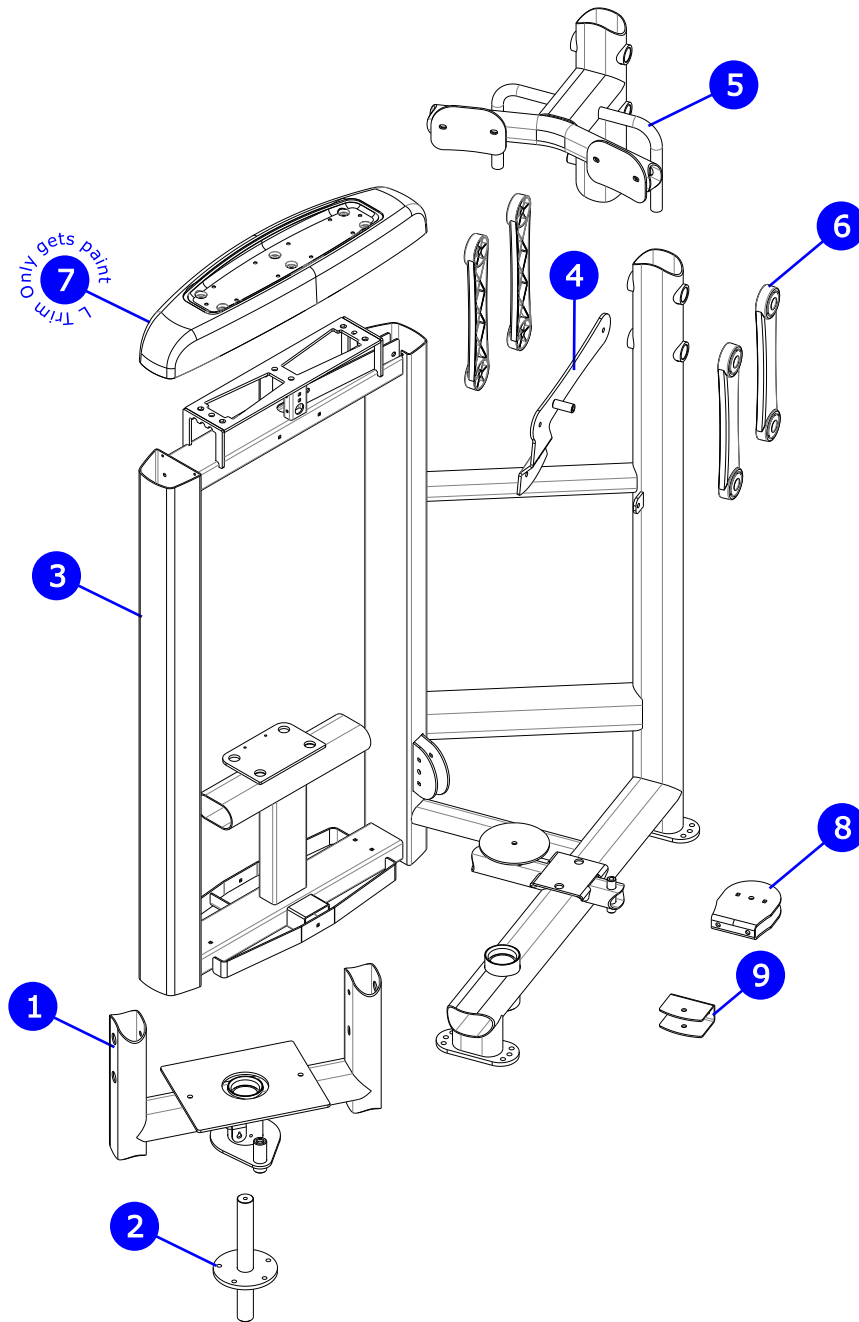
Items with Gray call-outs require the upholstery color within the order notes. IE: Putty.

FRAME COLOR ① ② ③

Items with Blue call-outs require the powder coat frame color to be within the order notes.

# Insignia Series Torso Rotation

## Powder Coat Painted Frame Weldments

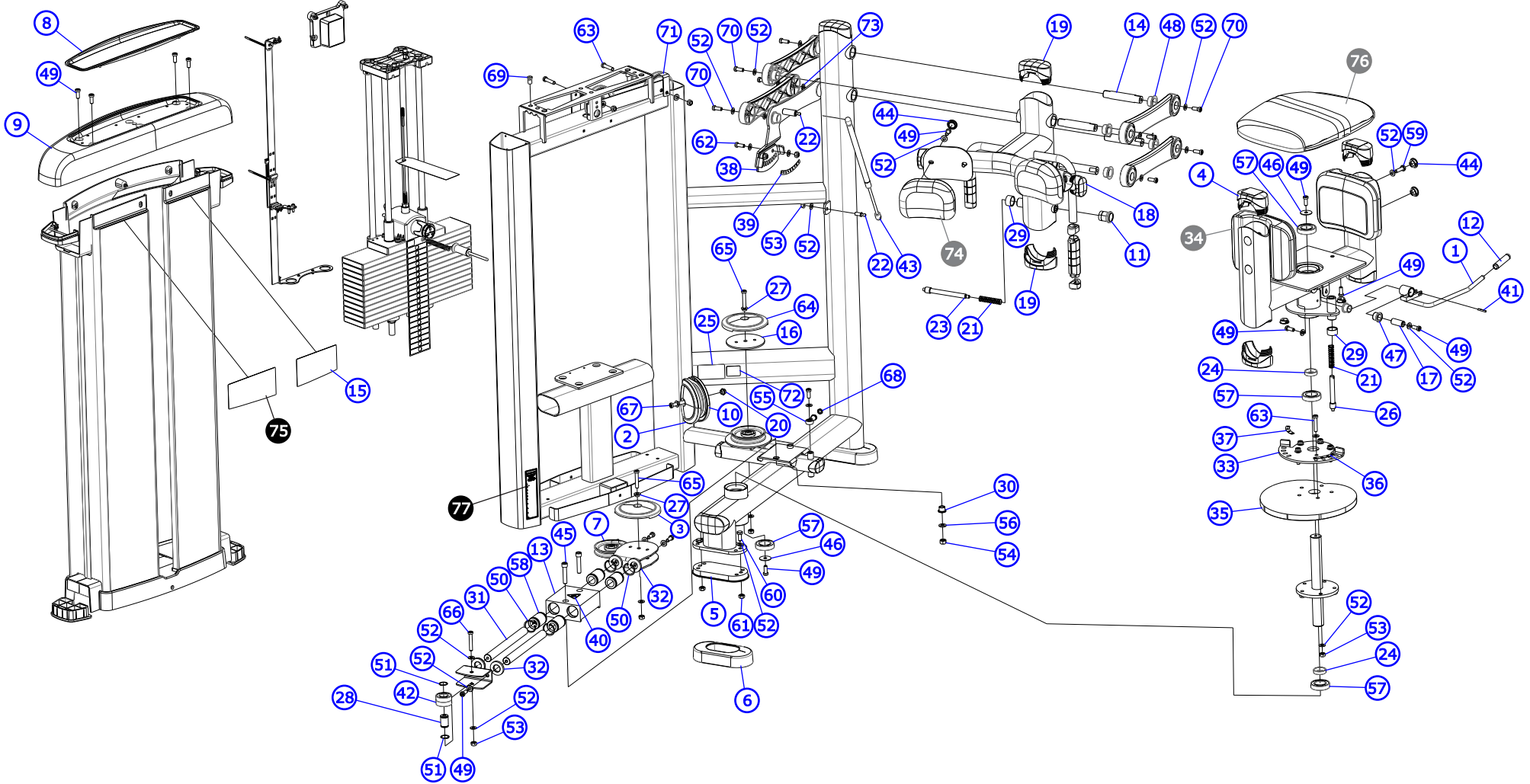


ITEM NO.	QTY.	PART NO.	DESCRIPTION	TRIM	
1	1	7685399	WLDMT, FZTR KNEE SUPPORT	S	L
2	1	7685599	WLDMT, FZTR PIVOT SHAFT	S	L
3	1	POSSIBLE RMA	WLDMT, SS-TR FRAME	S	L
4	1	9460999	WLDMT, 4 BAR INDEX	S	L
5	1	9461899	WLDMT, SS-TR SHOULDER SUPPORT	S	L
6	4	9439199	LINK, SS, SEAT BACK	S	L
7	1	9412699	CAP, TOWER -TOP	-	L
8	1	7687099	BRKT, LINEAR SLIDE PULLEY	S	L
9	1	9461999	BRKT, CAM FOLLOWER	S	L

**ITEMS ON THIS PAGE ARE POWDER COAT PAINTED. REFER TO PAGE 3 FOR ORDERING INSTRUCTIONS.**



# Insignia Series Torso Rotation Component Assembly



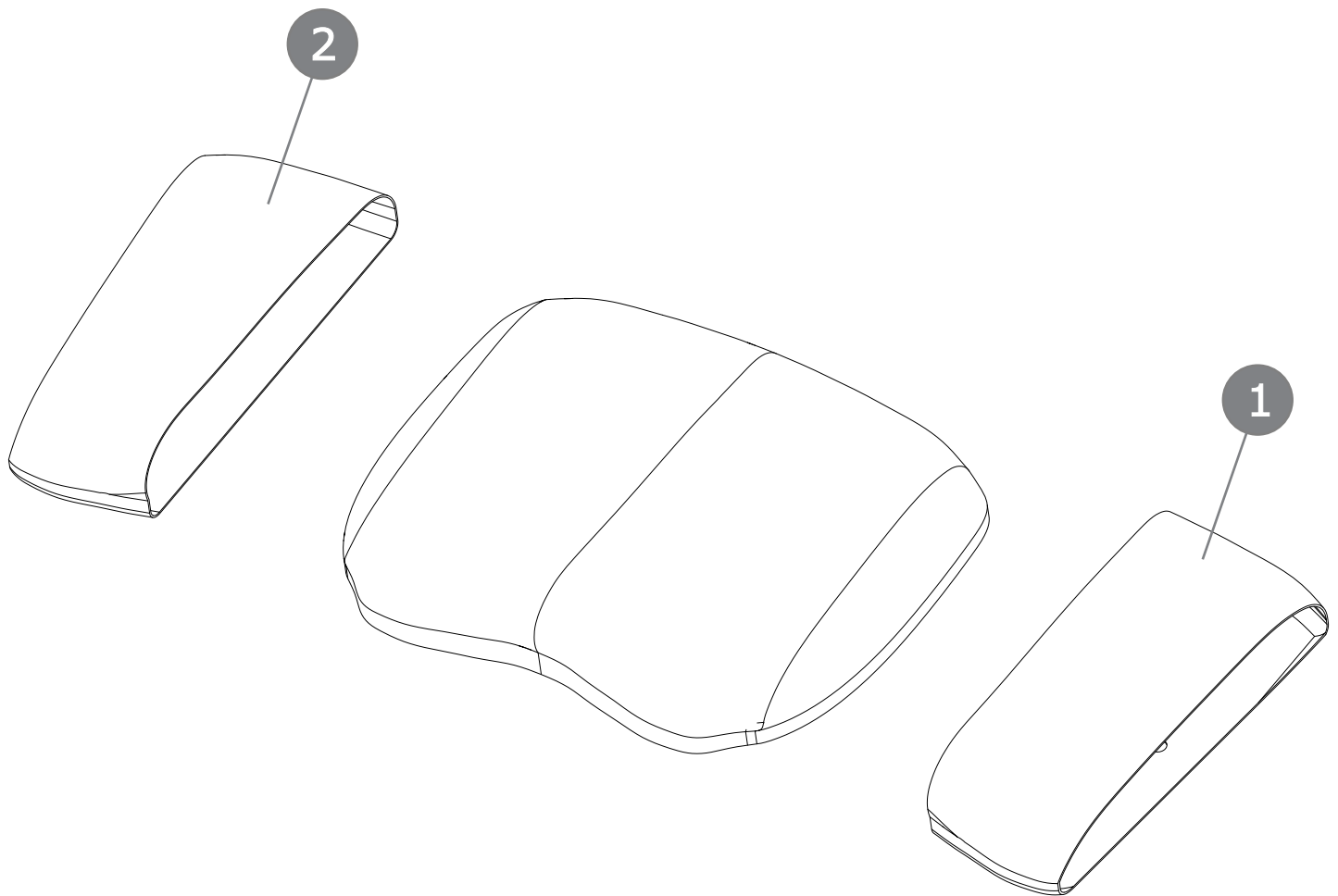
See page 6 for table

# Insignia Series Torso Rotation Table

ITEM NO.	QTY.	PART NO.	DESCRIPTION	TRIM	
1	1	7700428	WLDMT, FZTR ADJ. HANDLE	S	L
2	1	8094102	COVER, PULLEY-BOLTED PARTIAL -CHGR	S	L
3	1	6104502	COVER, PULLEY-BOLTED NOTCHED	S	L
4	2	6652702	TRANSFERRED SS-TR FACE FORWARD LABEL/CAP	S	L
5	2	9319301	FOOT, 2.50 X 4.49 FLOV	S	L
6	2	9319401	COVER, FOOT - STRAIGHT	S	L
7	5	9319901	PULLEY, 3/16 IN CABLE (T2), 4.5 IN OD	S	L
8	1	9411201	TRAY, TOWER TOP CAP	S	L
9	1	9436701	CAP, TOWER, TOP, PLASTIC	S	-
10	1	9450002	COVER, PULLEY-BOLTED PARTIAL	S	L
11	1	9454703	KNOB, ADJ	S	L
12	1	9461503	HANDLE, REMOTE	S	L
13	1	9462001	BLOCK, LINEAR SLIDE	S	L
14	4	9472902	SHAFT, TAPPED 1 DIA X 5.330	S	L
15	1	9477801	LABEL, SS-TR PLACARD, RH	S	L
16	1	7318201	PLATE, PULLEY	S	L
17	1	7324802	SHAFT, TAPPED 0.75 DIA X 1.800	S	L
18	4	7333802	CAP, SMALL FLOV- END	S	L
19	8	7333902	CAP, LARGE FLOV- END	S	L
20	1	7335401	NUT, M10 X 1.5 SOCKET HEAD	S	L
21	2	7351501	SPRING, PULL PIN LARGE	S	L
22	2	7414301	STUD, M10 BALL END M10 X 1.5	S	L
23	1	7425102	PIN, PULL X 6.75	S	L
24	2	7511501	SPACER, FZ/PS INTERNAL .403	S	L
25	1	-	LABEL, SERIAL NUMBER, BLANK	S	L
26	1	7600102	PIN, PULL X 4.88	S	L
27	3	7630101	RETAINER, CM/MJ, PULLEY	S	L
28	1	7686901	SHAFT, BEARING	S	L
29	2	7690202	BUMPER, SLEEVE - 1.125 INCH DIA	S	L
30	2	7702101	BUSHING, .750 OD X .500 ID X .500	S	L
31	2	7702401	GUIDE ROD, FZTR LINEAR	S	L
32	4	7713801	BUMPER, 1.00 IDX1.88 ODX.25	S	L
33	1	7763501	PLATE, CAM INDEX	S	L
34	2	1000017-0001	PAD, HEAD REST BLK, SNGL STITCH	S	L
		1000017-0099	PAD, HEAD REST CUS, SNGL STITCH		
		1000017-0110	PAD, HEAD REST BLK, DBL STITCH		
		1000017-0199	PAD, HEAD REST CUS, DBL STITCH		
35	1	7775202	CAM, FZTR-MOLDED	S	L
36	1	7801602	LABEL, FZTR CAM ADJ - RIGHT	S	L
37	1	7801702	LABEL, FZTR CAM ADJ - LEFT	S	L
38	1	7821101	BRKT, SELECTOR	S	L
39	1	7853602	LABEL, FZTR 1-9	S	L
40	1	8039501	LABEL, WARNING, TRIANGLE	S	L
41	1	8110011	ROLL PIN, 3/16 X 1-1/4	S	L
42	2	8235601	BEARING, 6205 BALL	S	L
43	1	8235701	SPRING, GAS 150N	S	L
44	10	8237407	PLUG, 1" HOLE	S	L
45	2	8241309	SCREW, M12 X1.75 60MM	S	L
46	2	8236701	WASHER, FENDER 3/8" ID X 1.5" OD SS	S	L
47	2	8104901	.75" ID 1.00" OD BRONZE BUSHING	S	L
48	8	8104903	1.00" ID 1.25" OD BRONZ BUSHING	S	L
49	19	8236202	SCREW, M10 X1.5 25MM	S	L
50	4	8202601	RING, INCH SERIES INT RETAINING	S	L
51	2	8232420	RING, BRE .926, 5100-98 ST PP B	S	L
52	52	8236601	WASHER, 3/8 SAE SS	S	L
53	13	8236801	NUT, M10 HEX NYLOCK SS	S	L
54	2	8236803	NUT, M12 HEX NYLOCK SS	S	L
55	1	8237901	ROD END, METRIC FEMALE	S	L
56	2	8241401	WASHER, FLAT 12MM SS	S	L
57	4	8243201	BEARING, 6007 BALL	S	L
58	4	8245601	BEARING, LINEAR 1" ID	S	L
59	4	8251204	SCREW, M10 X1.5 X 35MM UNS HEX CS ST ZN	S	L
60	4	8251202	SCREW, M10 X1.5 X 25MM UNS HEX CS ST ZN	S	L
61	4	8254703	NUT, M10 X 1.5 HEX ZINC	S	L
62	2	3275502	SCREW, M10 X 1.5 X 25 SHCS, LOW HEAD -NO PATCH	S	L
63	7	3275507	SCREW, M10 X 1.5 X 50 SHCS, LOW HEAD -NO PATCH	S	L
64	1	7629902	COVER, PULLEY-BOLTED FULL	S	L
65	2	3275508	SCREW, M10 X 1.5 X 55 SHCS, LOW HEAD -NO PATCH	S	L
66	1	3275509	SCREW, M10 X 1.5 X 60 SHCS, LOW HEAD -NO PATCH	S	L
67	1	8236207	SCREW, M10 X1.5 50MM	S	L
68	1	8236901	NUT, HEX JAM M10 X 1.5 SS	S	L
69	4	8275401	M10X1.5 BLIND THREADED INSERT (HEX) -HVY	S	L
70	8	8236204	M10 X 1.5 X 35 SHCS, LOW HEAD	S	L
71	1	8257701	CLIP, CABLE 2-7/8 X 1 X 1	S	L
72	1	9488901	LABEL, INSIGNIA, FCC	S	L
73	2	9486801	WASHER, 10.5 ID X 19 OD	S	L
74	2	8235301	PAD, ARM REST BLK, SNGL STITCH	S	L
		8235302	PAD, ARM REST CUS, SNGL STITCH		
		8235301101	PAD, ARM REST BLK, DBL STITCH		
		8235302199	PAD, ARM REST CUS, DBL STITCH		
75	1	9466299	LABEL, SS-TR PLACARD, LH	S	L
76	1	1000015-0001	PAD, LARGE CHAIR, FZTR BLK, SNGL STITCH	S	L
		1000015-0099	PAD, LARGE CHAIR W/COVERS CUS, SNGL STITCH		
		1000015-0101	PAD, LARGE CHAIR W/COVERS BLK, DBL STITCH		
		1000015-0199	PAD, LARGE CHAIR W/COVERS CUS, DBL STITCH		
77	1	8220099	LABEL, ASTM, SELECT VERT	S	L

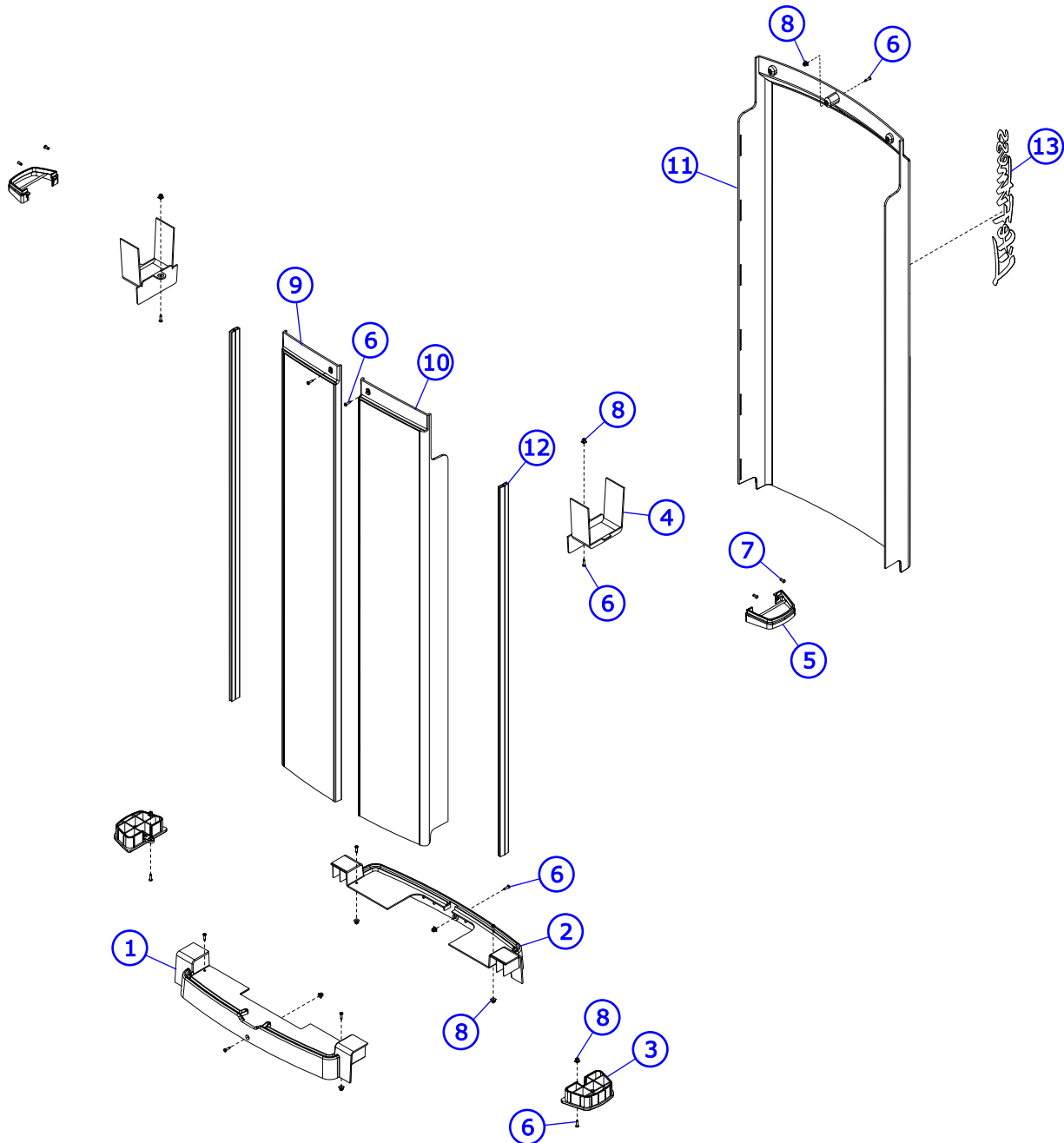
# Insignia Series Torso Seat Assembly

---



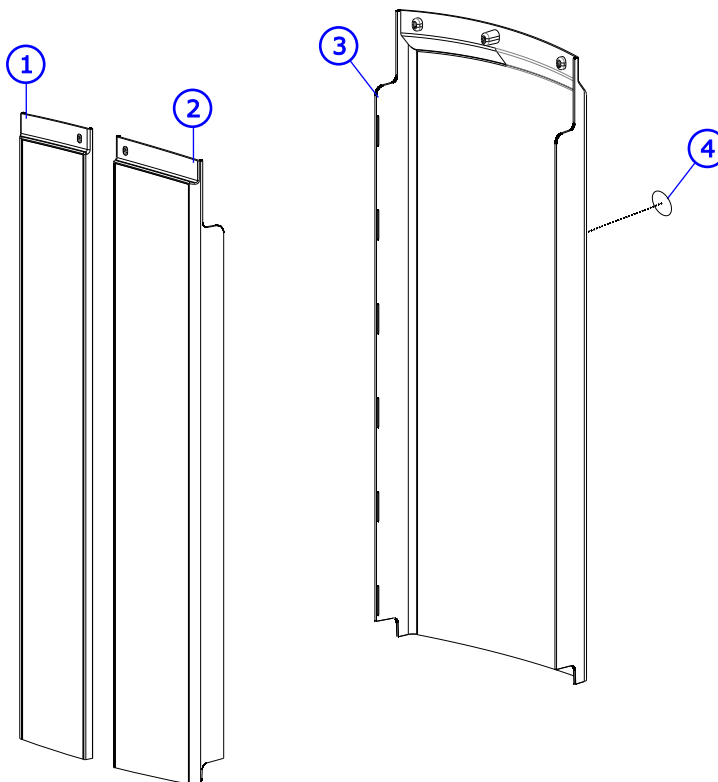
ITEM NO.	QTY.	PART NO.	DESCRIPTION
1	1	8031301	WEAR COVER, PAD, FZTR, RT BLK
		8031399	WEAR COVER, PAD, FZTR, RT CUS
2	1	8031401	WEAR COVER, PAD, FZTR, LT BLK
		8031499	WEAR COVER, PAD, FZTR, LT CUS

# Insignia Series Torso Rotation Tower Plastics



ITEM NO.	QTY.	PART NO.	DESCRIPTION
1	1	9410801	COVER, TOWER BOTTOM -FRONT
2	1	9411001	COVER, TOWER BOTTOM -REAR
3	2	9412701	ASSY, TRAP TUBE, CAP, BOTTOM
4	2	9415701	COVER, UPPER CROSS MEMBER
5	2	9415801	GASKET, TRAP TUBE
6	13	3275801	SCREW, 8 X 3/4 DIN PHL PAN AB ST ZB
7	4	0017-00101-1587	RVT 201X0413X.354 T NY NO
8	11	0017-00042-1147	GROMMET: SCREW; 8 OR 10
9	1	9410601	SHROUD, TOWER FRONT, LT - SHORT
10	1	9410701	SHROUD, TOWER FRONT, RT - SHORT
11	1	9411101	SHROUD, TOWER REAR - SHORT
12	2	9414601	SHROUD EXTRUSION - SHORT
13	1	9489101	LABEL, LIFE FITNESS

# Insignia Series Torso Rotation Shroud Wraps

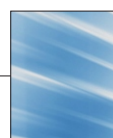


ITEM	QTY.	PART NO.	DESCRIPTION
1	1	9511802	SHROUD, SS, FNT, LT, SRT-BAM
2	1	9511702	SHROUD, SS, FNT, RT, SRT-BAM
3	1	9511902	SHROUD, SS, REAR, SRT-BAM
4	1	AK58-00245-2401	MEDALLION-ASSY;LF-BUG B



BAMBOO

ITEM	QTY.	PART NO.	DESCRIPTION
1	1	9511803	SHROUD, SS, FNT, LT, SRT-SKY
2	1	9511703	SHROUD, SS, FNT, RT, SRT-SKY
3	1	9511903	SHROUD, SS, REAR, SRT-SKY
4	1	AK58-00245-2401	MEDALLION-ASSY;LF-BUG B



SKY

ITEM	QTY.	PART NO.	DESCRIPTION
1	1	9511804	SHROUD, SS, FNT, LT, SRT-BRZ
2	1	9511704	SHROUD, SS, FNT, RT, SRT-BRZ
3	1	9511904	SHROUD, SS, REAR, SRT-BRZ
4	1	AK58-00245-2401	MEDALLION-ASSY;LF-BUG B



BRONZE

ITEM	QTY.	PART NO.	DESCRIPTION
1	1	9511805	SHROUD, SS, FNT, LT, SRT-STM
2	1	9511705	SHROUD, SS, FNT, RT, SRT-STM
3	1	9511905	SHROUD, SS, REAR, SRT-STM
4	1	AK58-00245-2401	MEDALLION-ASSY;LF-BUG B



STEM

ITEM	QTY.	PART NO.	DESCRIPTION
1	1	9511806	SHROUD, SS, FNT, LT, SRT-RSW
2	1	9511706	SHROUD, SS, FNT, RT, SRT-RSW
3	1	9511906	SHROUD, SS, REAR, SRT-RSW
4	1	AK58-00245-2401	MEDALLION-ASSY;LF-BUG B



ROSEWOOD

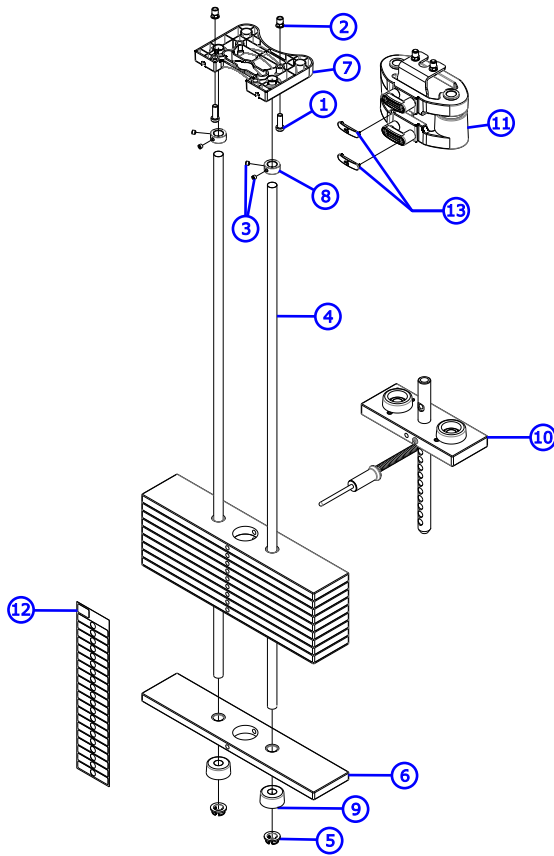
ITEM	QTY.	PART NO.	DESCRIPTION
1	1	9511807	SHROUD, SS, FNT, LT, SRT-SS
2	1	9511707	SHROUD, SS, FNT, RT, SRT-SS
3	1	9511907	SHROUD, SS, REAR, SRT-SS
4	1	AK58-00245-2401	MEDALLION-ASSY;LF-BUG B



STAINLESS STEEL

# Insignia Series Torso Rotation Weight Stack Assemblies

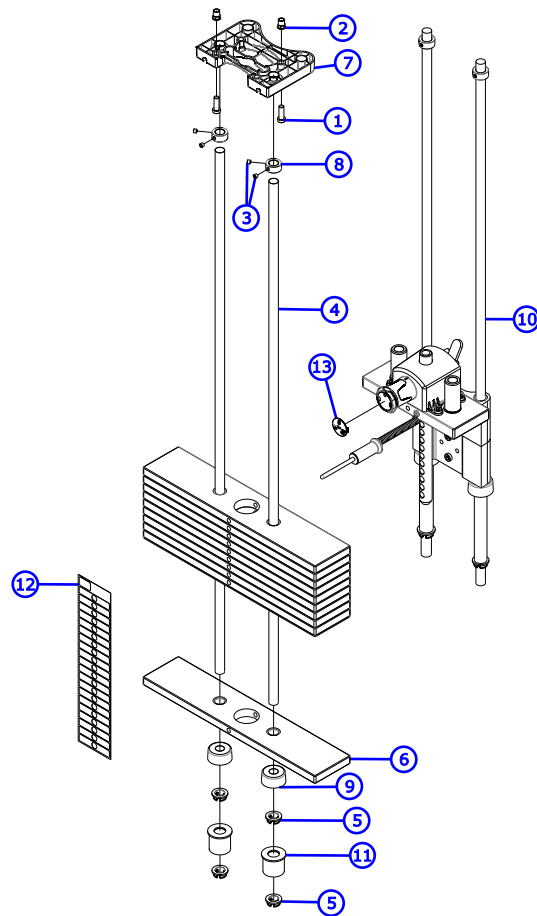
## T - Base



Uses **9423507** Cable (120.625")

ITEM NO.	QTY.	PART NO.	DESCRIPTION
1	2	<b>8236203</b>	SCREW, M10 X1.5 30MM
2	2	<b>8238601</b>	M10X1.5 BLIND THREADED INSERT (HEX)
3	4	<b>8242901</b>	SCREW, SET BO
4	2	7328625	GUIDE ROD, .75 OD SOLID X 37.14
5	2	<b>7337901</b>	BUSHING, GUIDE ROD
6	10	9407601	WGT PL, 3/4IN X 4IN, 15 LB
7	1	<b>8412801</b>	RETAINER, GUIDE ROD - TOP
8	2	9462901	SHAFT COLLAR, 3/4 IN ID
9	2	<b>7352101</b>	CUSHION, WEIGHT STACK
10	1	SEE PAGE 11	HEAD PLATE ASSY
11	1	SEE PAGE 11	INCREMENTAL WEIGHTS
12	1	<b>8475301</b>	LABEL, 3/4 IN WGT STACK, 295 LB
		<b>8475201</b>	LABEL, 3/4 IN WGT STACK, 147.5 KG
13	2	<b>8462303</b>	CAP, DD INC WGT, YEL -LBS
		<b>8462403</b>	CAP, DD INC WGT, YEL -KG

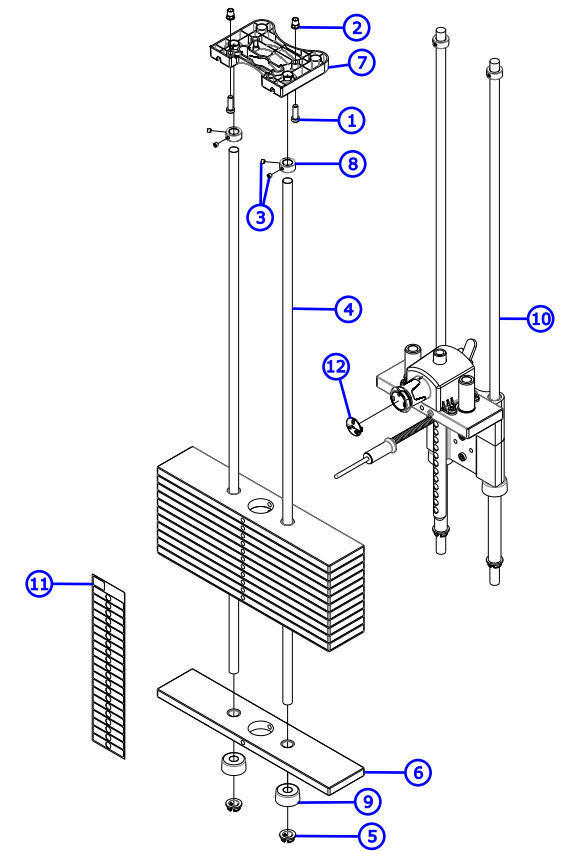
## C - Light



Uses **9423508** Cable (119.125")

ITEM NO.	QTY.	PART NO.	DESCRIPTION
1	2	<b>8236203</b>	SCREW, M10 X1.5 30MM
2	2	<b>8238601</b>	M10X1.5 BLIND THREADED INSERT (HEX)
3	4	<b>8242901</b>	SCREW, SET BO
4	2	7328625	GUIDE ROD, .75 OD SOLID X 37.14
5	2	<b>7337901</b>	BUSHING, GUIDE ROD
6	10	9407601	WGT PL, 3/4IN X 4IN, 15 LB
7	1	<b>8412801</b>	RETAINER, GUIDE ROD - TOP
8	2	9462901	SHAFT COLLAR, 3/4 IN ID
9	2	<b>7352101</b>	CUSHION, WEIGHT STACK
10	1	SEE PAGE 12	HEAD PLATE/RODSASSY
11	2	<b>8495911</b>	WLDMT, WGT STK SPACER X 1.50 -CHR
12	1	<b>8475301</b>	LABEL, 3/4 IN WGT STACK, 295 LB
		<b>8475201</b>	LABEL, 3/4 IN WGT STACK, 147.5 KG
13	1	<b>8431403</b>	CAP, SELECTOR KNOB -LBS
		<b>8450103</b>	CAP, SELECTOR KNOB -KGS

## X - Heavy



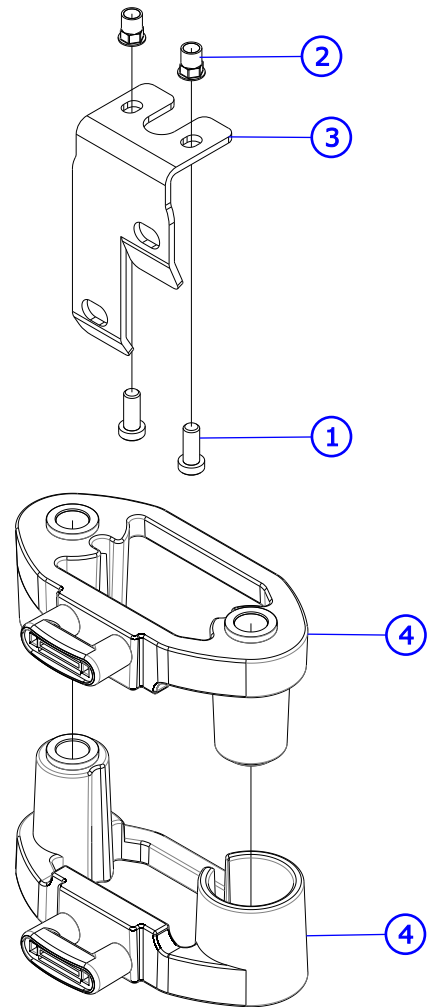
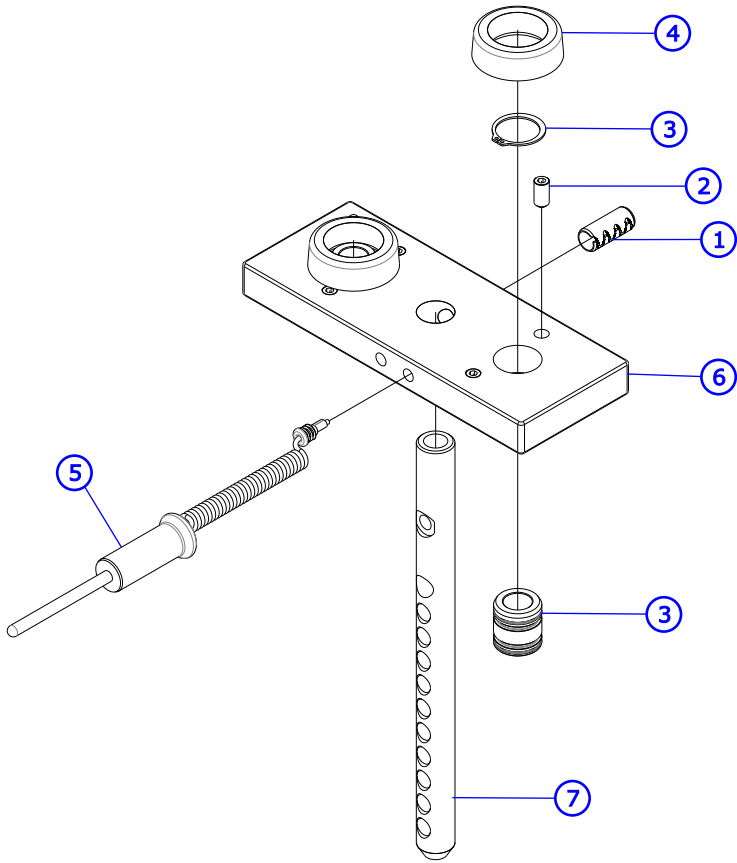
Uses **9423508** Cable (119.125")

ITEM NO.	QTY.	PART NO.	DESCRIPTION
1	2	<b>8236203</b>	SCREW, M10 X1.5 30MM
2	2	<b>8238601</b>	M10X1.5 BLIND THREADED INSERT (HEX)
3	4	<b>8242901</b>	SCREW, SET BO
4	2	7328625	GUIDE ROD, .75 OD SOLID X 37.14
5	2	<b>7337901</b>	BUSHING, GUIDE ROD
6	12	9407601	WGT PL, 3/4IN X 4IN, 15 LB
7	1	<b>8412801</b>	RETAINER, GUIDE ROD - TOP
8	2	9462901	SHAFT COLLAR, 3/4 IN ID
9	2	<b>7352101</b>	CUSHION, WEIGHT STACK
10	1	SEE PAGE 12	HEAD PLATE/RODSASSY
11	1	<b>8475301</b>	LABEL, 3/4 IN WGT STACK, 295 LB
		<b>8475201</b>	LABEL, 3/4 IN WGT STACK, 147.5 KG
12	1	<b>8431403</b>	CAP, SELECTOR KNOB -LBS
		<b>8450103</b>	CAP, SELECTOR KNOB -KGS

# Insignia Series Torso Rotation

## T Trim Head Plate and Drop Down Increment Weights

**T Trim**

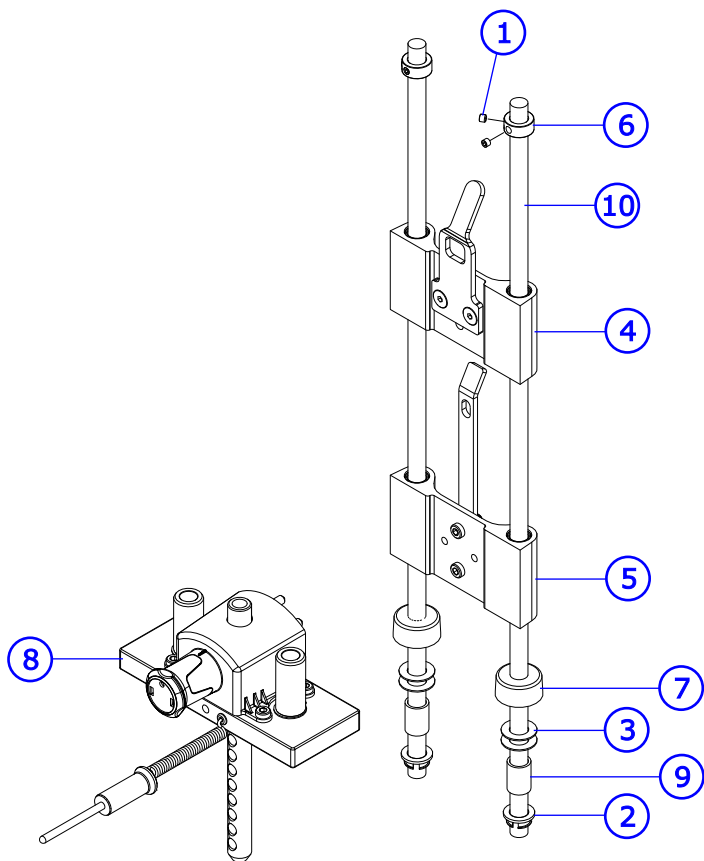


ITEM NO.	QTY.	PART NO.	DESCRIPTION
1	1	3236001	BUSHING, SPRING PIN
2	4	3240501	M10 X 1.5 X 20 HXS NO CUP ST BO
3	2	7338001	BUSHING, HEADPLATE
4	2	7767602	BUMPER, INCREMENT WT -BLK
5	1	9427003	ASSY, WGT STK SELECT PIN -YEL
6	1	9427401	HEADPLATE, WT. STACK, 10LB
7	1	9434201	BAYONET, 10 PLATE

ITEM NO.	QTY.	PART NO.	DESCRIPTION
1	2	3236202	SCREW, M10 X1.5 25MM
2	2	3238601	M10X1.5 BLIND THREADED INSERT (HEX)
3	1	9430801	BRKT, INC WGT STRIKER
4	2	9455403	ASSY, DD INC WGT -YEL

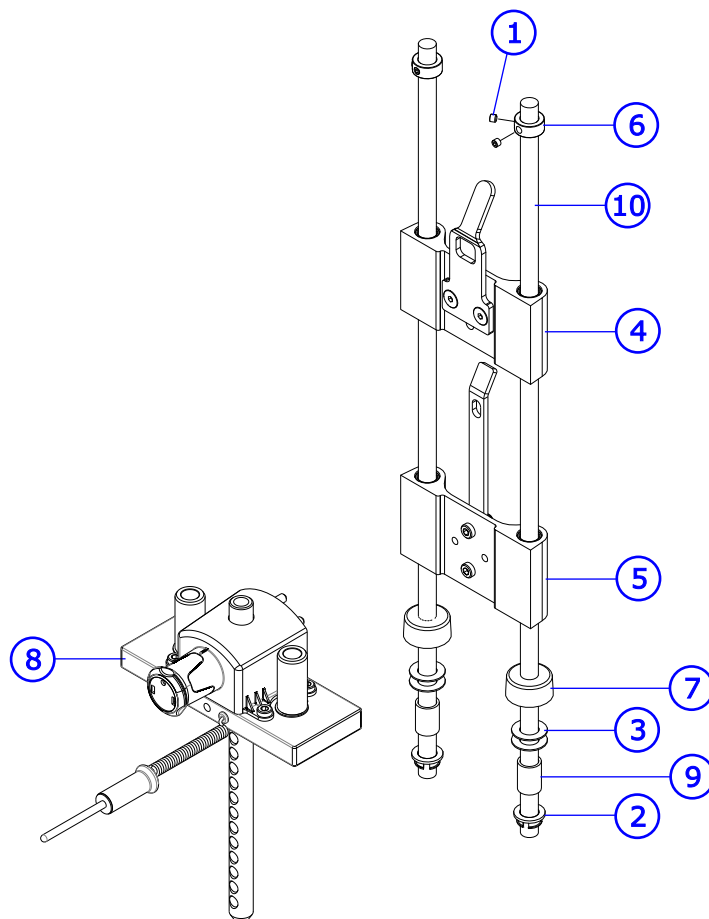
# Insignia Series Torso Rotation C and X Trim Stack Components

## C Trim



ITEM NO.	QTY.	PART NO.	DESCRIPTION
1	4	6242901	SET SCREW, 5/16-18 X 1/4
2	2	7337901	BUSHING, GUIDE ROD
3	4	7351001	SPACER, INC WT STACK
4	1	SEE PAGE 14	ASSY, INC WGT -5LB
5	1	SEE PAGE 14	ASSY, INC WGT -10LB
6	2	9462901	SHAFT COLLAR, 3/4 IN ID
7	2	7352101	CUSHION, WEIGHT STACK
8	1	SEE PAGE 13	ASSY, SS, HEAD PLATE, DIAL, STD -10
9	2	7328705	SPACER, INC WT STACK 12 PLATE
10	2	7328625	GUIDE ROD, .75 OD SOLID X 37.14

## X Trim

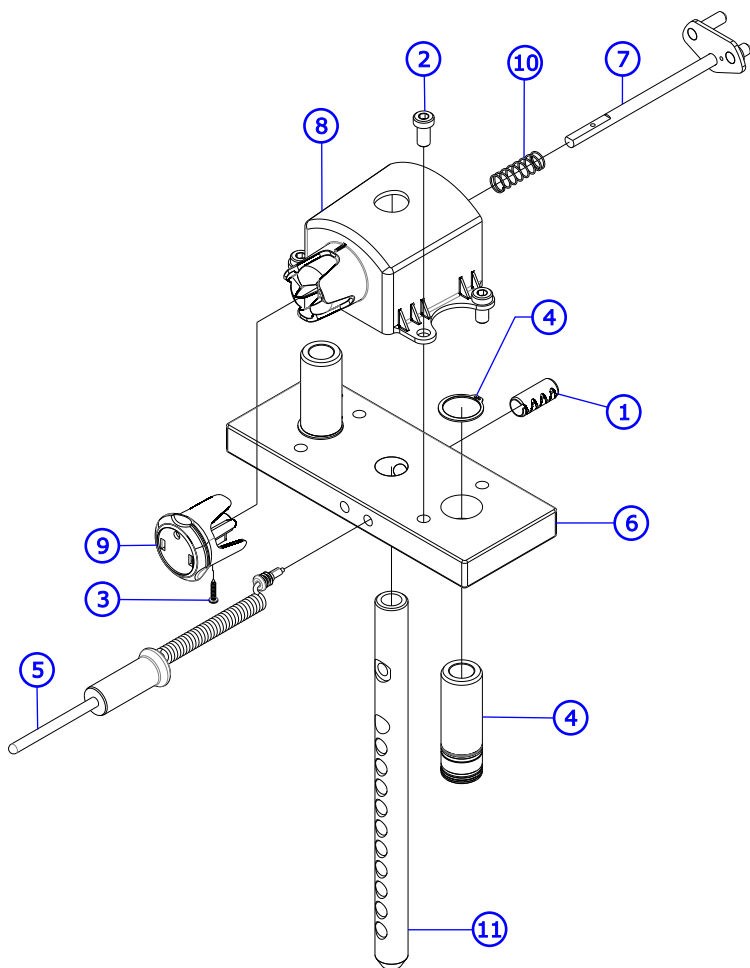


ITEM NO.	QTY.	PART NO.	DESCRIPTION
1	4	6242901	SET SCREW, 5/16-18 X 1/4
2	2	7337901	BUSHING, GUIDE ROD
3	4	7351001	SPACER, INC WT STACK
4	1	SEE PAGE 14	ASSY, INC WGT -5LB
5	1	SEE PAGE 14	ASSY, INC WGT -10LB
6	2	9462901	SHAFT COLLAR, 3/4 IN ID
7	2	7352101	CUSHION, WEIGHT STACK
8	1	SEE PAGE 13	ASSY, SS, HEAD PLATE, DIAL, HVY -12
9	2	7328705	SPACER, INC WT STACK 12 PLATE
10	2	7328625	GUIDE ROD, .75 OD SOLID X 37.14



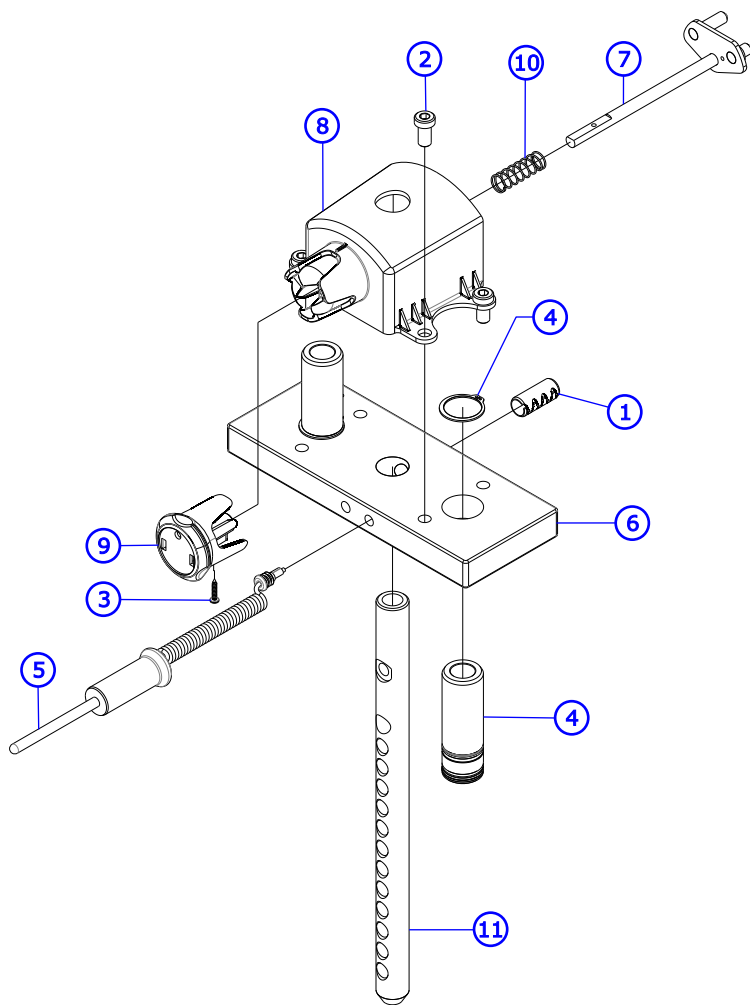
# Insignia Series Torso Rotation C and X Trim Head Plate Assemblies

## C Trim



ITEM NO.	QTY.	PART NO.	DESCRIPTION
1	1	9236001	BUSHING, SPRING PIN
2	4	9236201	SCREW, M10 X1.5 20MM
3	1	9275601	SCREW, 6 X 3/4 DIN PHL PAN AB ST ZB
4	2	9296001	BUSHING, HEADPLATE, LONG
5	1	9427003	ASSY, WGT STK SELECTOR PIN -YELLOW
6	1	9427401	HEADPLATE, WT. STACK, 10LB
7	1	9427501	WLDMT, INC WGT PIN
8	1	9430501	HSNG, INC WEIGHT
9	1	9443201	KNOB, INC WEIGHT
10	1	9443301	SPRING, INC WGT PIN
11	1	9434201	BAYONET, 10 PLATE

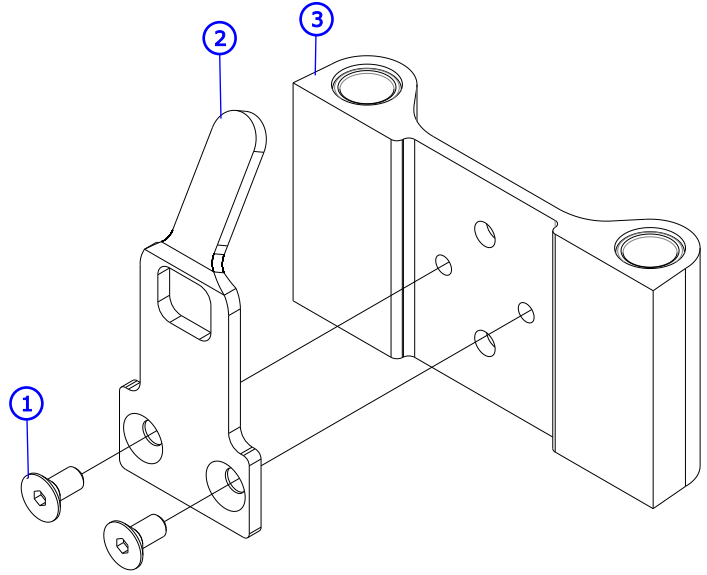
## X Trim



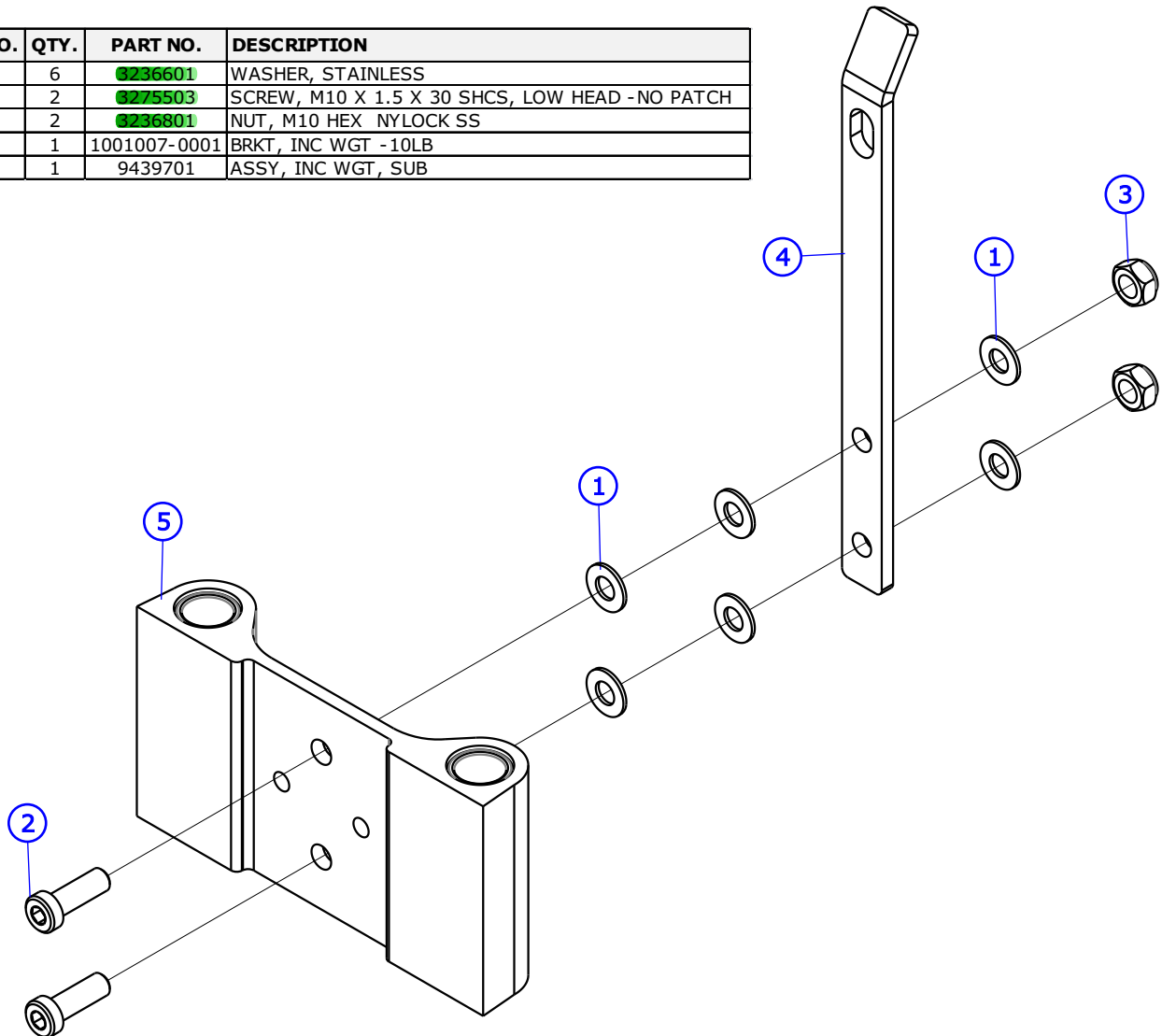
ITEM NO.	QTY.	PART NO.	DESCRIPTION
1	1	9236001	BUSHING, SPRING PIN
2	4	9236201	SCREW, M10 X1.5 20MM
3	1	9275601	SCREW, 6 X 3/4 DIN PHL PAN AB ST ZB
4	2	9296001	BUSHING, HEADPLATE, LONG
5	1	9427003	ASSY, WGT STK SELECTOR PIN -YELLOW
6	1	9427401	HEADPLATE, WT. STACK, 10LB
7	1	9427501	WLDMT, INC WGT PIN
8	1	9430501	HSNG, INC WEIGHT
9	1	9443201	KNOB, INC WEIGHT
10	1	9443301	SPRING, INC WGT PIN
11	1	9426001	BAYONET, 12 PLATE

# Insignia Series Torso Rotation C and X Trim Incremental Weights

ITEM NO.	QTY.	PART NO.	DESCRIPTION
1	2	3238301	M10x1.5x20mm
2	1	9428201	BRKT, INC WGT -5 LB
3	1	9439701	ASSY, INC WGT, SUB

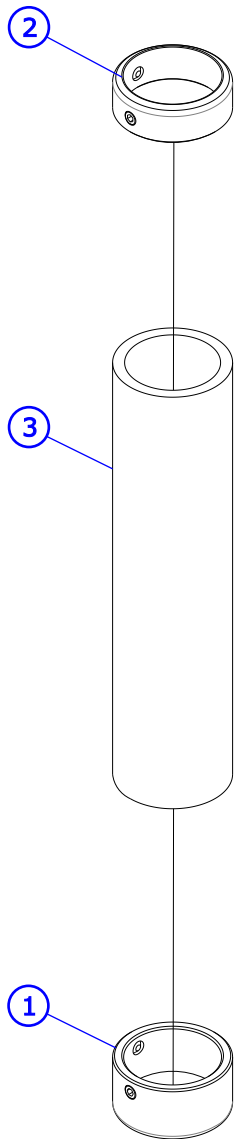


ITEM NO.	QTY.	PART NO.	DESCRIPTION
1	6	8236601	WASHER, STAINLESS
2	2	8275503	SCREW, M10 X 1.5 X 30 SHCS, LOW HEAD -NO PATCH
3	2	8236801	NUT, M10 HEX NYLOCK SS
4	1	1001007-0001	BRKT, INC WGT -10LB
5	1	9439701	ASSY, INC WGT, SUB



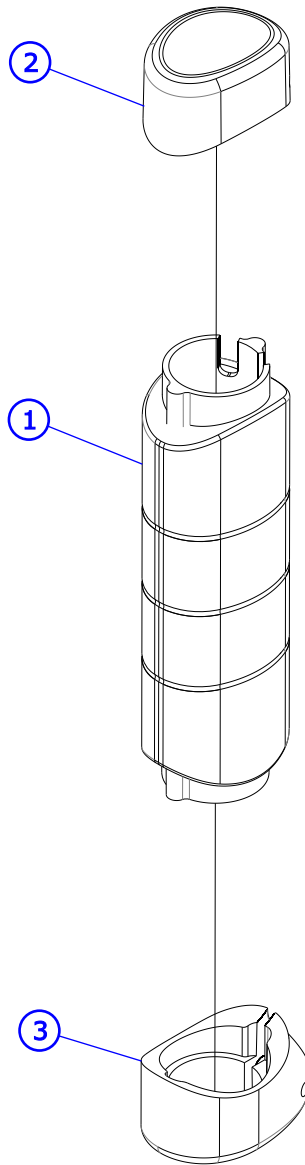
# Insignia Series Torso Rotation Grip Assemblies

## S Trim



ITEM NO.	QTY.	PART NO.	DESCRIPTION
1	1	7662901	CAP, GRIP 1.25 OD
2	1	7662801	RING, GRIP
3	1	8235806	GRIP, 1.25 OD X .125 WALL, OPEN END

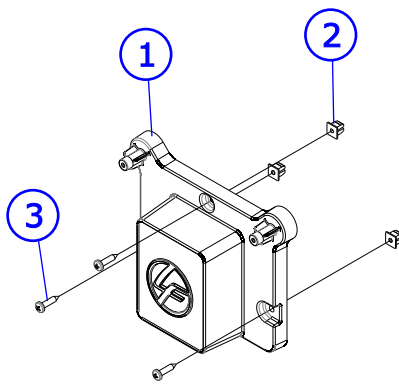
## L Trim



ITEM NO.	QTY.	PART NO.	DESCRIPTION
1	1	9453001	GRIP, ERGO, OVERMOLD
2	1	9498401	ASSY, CAP, GRIP
3	1	9498501	ASSY, COLLAR, ERGO GRIP

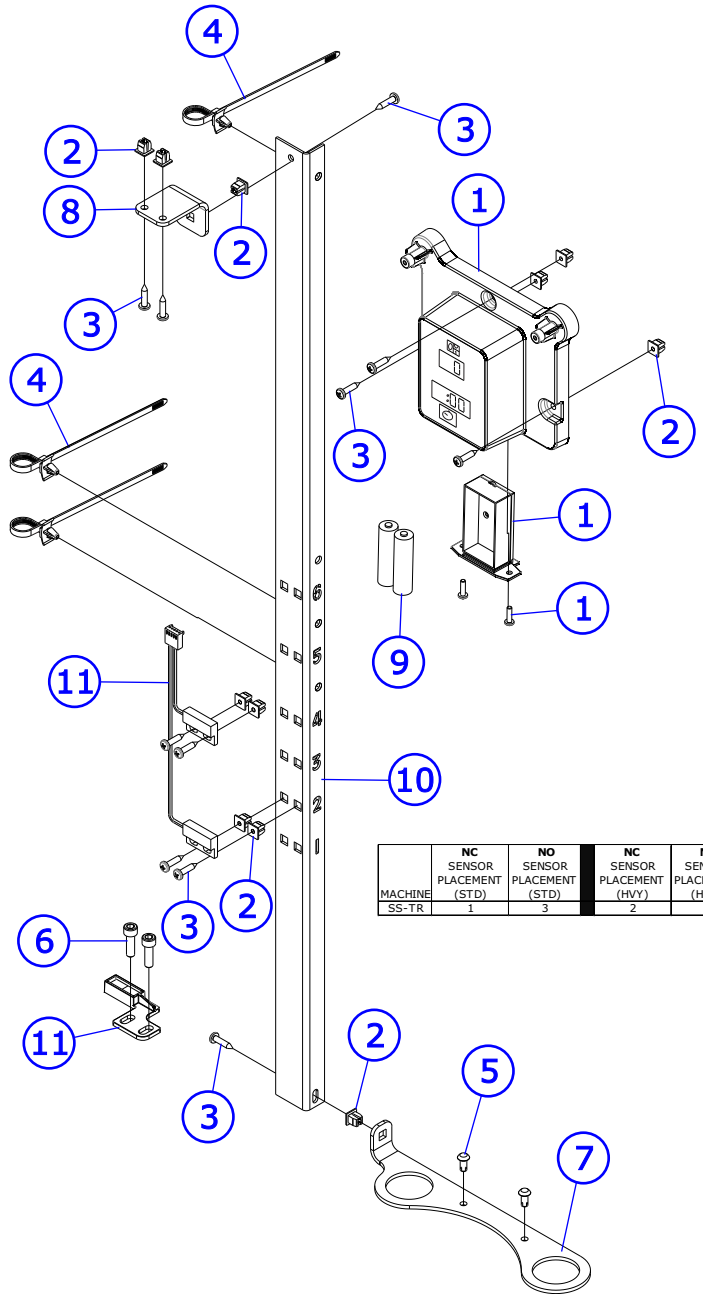
# Insignia Series Torso Rotation Sensor Assemblies

## S Trim



ITEM NO.	QTY.	PART NO.	DESCRIPTION
1	1	9437401	SS - ASSY, DISPLAY, BASE
2	3	3275801	GROMMET: SCREW; 8 OR 10
3	3	3275801	SCREW, 8 X 3/4 DIN PHL PAN AB ST ZB

## L Trim



MACHINE	NC SENSOR PLACEMENT (STD)	NO SENSOR PLACEMENT (STD)	NC SENSOR PLACEMENT (HVY)	NO SENSOR PLACEMENT (HVY)
SS-TR	1	3	2	4

ITEM NO.	QTY.	PART NO.	DESCRIPTION
1	1	9417701	ASSY, DISPLAY, COUNTER
2	11	3275801	GROMMET: SCREW; 8 OR 10
3	11	3275801	SCREW, 8 X 3/4 DIN PHL PAN AB ST ZB
4	3	3276101	GROMMET, CABLE TIE
5	2	3241701	RVT 201X0413X.354 T NY NO
6	2	3241701	SCREW, M6 X1 20MM
7	1	9432728	BRKT, SS, SWITCH MNT -CHGR
8	1	9434828	BRKT, SS, SWITCH MNT
9	2	-	BATTERY, AA
10	1	9459228	BRKT, SS, SWITCH MNT, SRT -CHR
11	1	3276101	ASSY, SS, PROX SWITCH/MAGNET